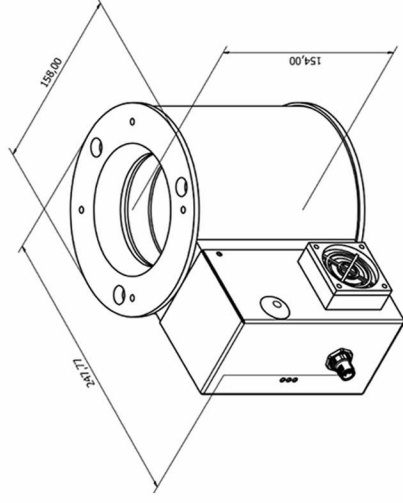


Technical specifications

Sensor	Control
Stainless Steel/PTFE/PEEK	7" Touch-view controller
Supply Voltage 90...230VAC	MAX/min Alarms
Moisture range: 0.1 to 0.0005 +/- 1% F.S.	Product recipes database
Accuracy: Complies with ASTM D7191-10	Trends / data recorder
Repeatability: Complies with ASTM D7191-10	Interfaces: Ethernet/Modbus/VNC
Temperature range: 10 to 200°C	Slide Gate Option diverts "Out-Of-Spec" material -
Sample rate: 30ms	Options: Digital and Analog I/O Modules

Dimensions (mm)



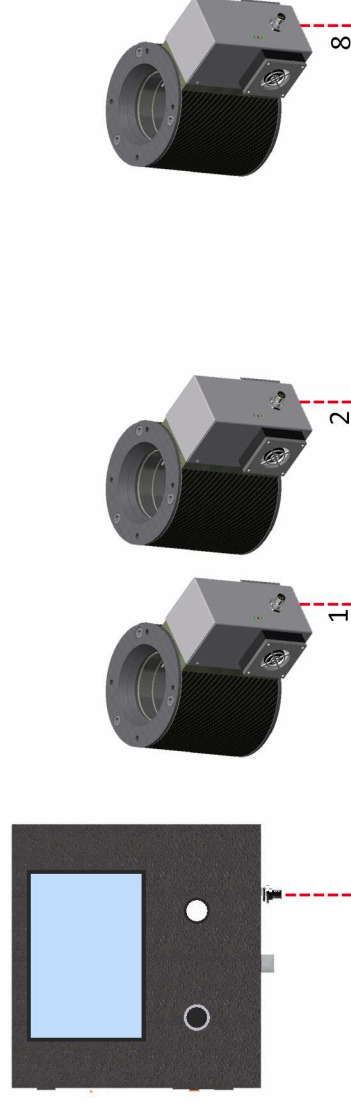
Connectivity

Record all the data related to Moisture and Temperature and save it to USB or SD card. The USB port can be used to upgrade Moisture Minder to latest software version.



Sensors Network

The 7" High Resolution Touch panel controls up to 8 sensors. The system can be upgraded anytime without any additional hardware. Sensor Network Trunk and Drop Extension Cables: Lengths of 5, 10, 30 and 50 meters. Male/Female and T-adaptor for Easy Coupling May be combined under 150 meters to get to proper length.



Storage Devices

Monitor, Configure and Control your production from anywhere, quickly and easily. Our system allows full access with to Moisture Minder with a PC, tablet or smartphone

MOISTURE MINDER

SWISS + MADE

Bryscan Series

INSTANTLY MONITORING ACTUAL MOISTURE CONTENT

www.bryscan.com

Retrofit ANY existing hopper, silo, material line or process machine throat



NO MORE

- guesswork with dew point and time-based estimates!
- wasteful over-drying!
- under-drying because of changes of incoming resin!
- time-consuming offline testing that identifies out-of-spec material after bad parts are produced.

Distributor/Agent



Bry-Air PROKON GmbH
Via Passeggiata Mag. XII
CH-6828 Balerna
Switzerland
Tel. +41 91 683 09 71
mail: info@pro-kon.ch